



**TELESCOPIC WHEEL LOADER | TM320 / TM320S / TM420 / TM420S**

Lift capacity: 3,200kg – 4,100kg | Gross power: 97kW/130hp – 129kW/173hp | Lift height: 5.2m – 5.45m



# THE ARGUMENT FOR BUYING ONE JUST GOT EVEN MORE POWERFUL

Introducing the all-new JCB TM Stage V machines. With our proven DIESELMAX engine delivering more power and a new highly efficient 8-speed intelligent powershift transmission with TorqueLock, they take performance and productivity to another level. With superb visibility, comfort and ease of use plus many innovative fuel-saving features, there's so many reasons to choose the ultimate telescopic wheel loaders.

## MORE POWERFUL

The new TM machines feature our 4.8 litre DIESELMAX Stage V emission compliant engine, delivering increased power and torque at low engine speed.



## GREATER PRODUCTIVITY

The TM's variable flow auxiliary hydraulics are easy to use and maximise productivity, allowing multiple functions to be performed at the same time, reducing cycle times.

## GREATER COMFORT

The new JCB TM CommandPlus cab has been designed for operator comfort, with a spacious working environment and plenty of storage space.



## SUPERB VISIBILITY

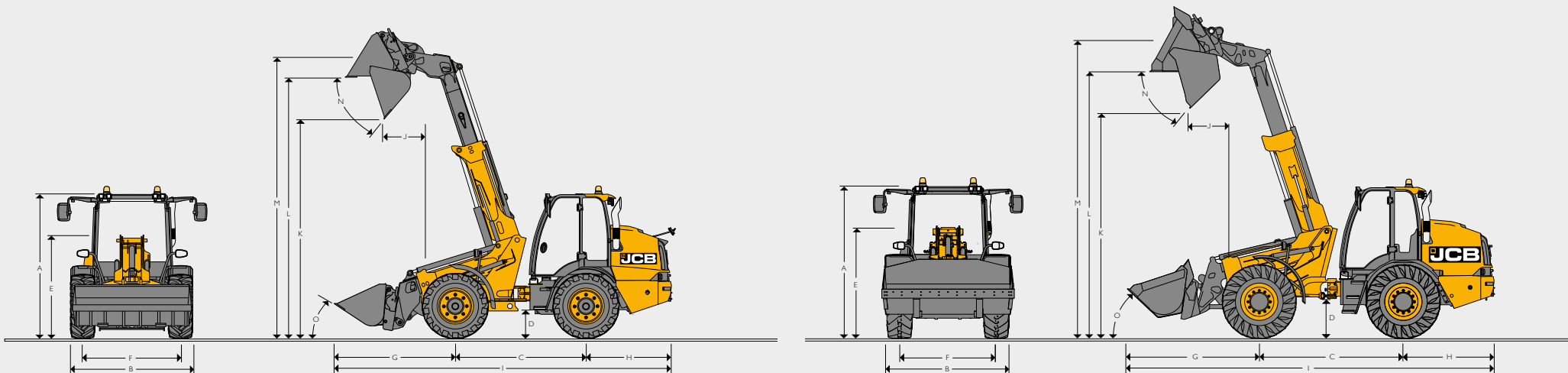
New multi-curve glazing increases front visibility by 13% and provides 52% more upward visibility, when operating at height.

## SAFER WORKING

Superb visibility in dark conditions is guaranteed with our high intensity 11x LED work lighting package, providing 360-degree illumination.



STATIC DIMENSIONS



| Machine model |                                    | TM320   | TM320S                  | TM420                   | TM420S                  |
|---------------|------------------------------------|---------|-------------------------|-------------------------|-------------------------|
| A             | Height over cab (no wiper)         | mm      | 2721                    | 2721                    | 2856                    |
| A             | Height over cab (inc wiper)        | mm      | 2791                    | 2791                    | 2926                    |
| B             | Overall width (over tyres)         | mm      | 2350                    | 2350                    | 2350                    |
| C             | Wheelbase                          | mm      | 2550                    | 2550                    | 2758                    |
| D             | Ground clearance to bottom of axle | mm      | 420                     | 420                     | 466                     |
| E             | Height to top of boom pivot        | mm      | 1835                    | 1835                    | 1975                    |
| F             | Wheel track                        | mm      | 1870                    | 1870                    | 1860                    |
| G             | Front axle to shovel toe plate     | mm      | 1627                    | 1627                    | 2532                    |
| H             | Rear axle to counterweight face    | mm      | 2143                    | 2143                    | 1721                    |
| I             | Total length (GP shovel at carry)* | mm      | 6322                    | 6322                    | 7011                    |
| J             | Dump reach at full height          | mm      | 933                     | 933                     | 735                     |
| K             | Dump height                        | mm      | 4511                    | 4511                    | 4411                    |
| L             | Load over height                   | mm      | 5182                    | 5182                    | 5064                    |
| M             | Pin height                         | mm      | 5367                    | 5367                    | 5661                    |
| N             | Max dump angle at full height      | degrees | 39                      | 39                      | 39                      |
| O             | Roll back angle at carry           | degrees | 41                      | 41                      | 43                      |
|               | Total length to front of hitch     | mm      | 5886                    | 5886                    | 5829                    |
|               | Inside turning radius to tyres     | mm      | 2001                    | 2001                    | 3880                    |
|               | Outside turning radius over tyres  | mm      | 4350                    | 4350                    | 5060                    |
|               | Outside turning radius over shovel | mm      | 4633                    | 4633                    | 5680                    |
|               | Articulation angle                 | degrees | +/- 43                  | +/- 43                  | +/- 40                  |
|               | Operating weight (Ref tyre, hitch) | kg      | 8142                    | 8142                    | 9779                    |
|               | Front axle weight                  | kg      | 2352                    | 2352                    | 3048                    |
|               | Rear axle weight                   | kg      | 5790                    | 5790                    | 6731                    |
|               | Tyres used for specifications      |         | XMCL 460/70R24          | XMCL 460/70R24          | XMCL 480/80R26          |
|               | Shovel used for specifications     |         | 1.0m <sup>3</sup> Q-Fit | 1.0m <sup>3</sup> Q-Fit | 1.6m <sup>3</sup> Q-Fit |
|               | Hitch used for specifications      |         | Q-Fit                   | Q-Fit                   | Q-Fit                   |

\*Please note total length: machine fitted with standard bucket – boom fully down, shovel crowded fully back.

| ENGINE              |         |                           |                           |                           |                           |
|---------------------|---------|---------------------------|---------------------------|---------------------------|---------------------------|
| Machine model       |         | TM320                     | TM320S                    | TM420                     | TM420S                    |
| Manufacturer        |         | JCB                       | JCB                       | JCB                       | JCB                       |
| Model               |         | DIESELMAX                 | DIESELMAX                 | DIESELMAX                 | DIESELMAX                 |
| Capacity            | litres  | 4.8                       | 4.8                       | 4.8                       | 4.8                       |
| Aspiration          |         | Turbocharged, Intercooled | Turbocharged, Intercooled | Turbocharged, Intercooled | Turbocharged, Intercooled |
| Number of cylinders |         | 4                         | 4                         | 4                         | 4                         |
| Power rating        |         |                           |                           |                           |                           |
| Gross power         | kW (hp) | 97 (130)                  | 112 (150)                 | 112 (150)                 | 129 (173)                 |
| Torque rating       |         |                           |                           |                           |                           |
| Gross torque        | Nm      | 550                       | 600                       | 600                       | 690                       |

| TRANSMISSION                   |     |                 |                                  |                                  |                 |                                  |                                  |
|--------------------------------|-----|-----------------|----------------------------------|----------------------------------|-----------------|----------------------------------|----------------------------------|
| Machine model                  |     | TM320 (40kph)   | TM320S (40kph)                   | TM320S (50kph)                   | TM420 (40kph)   | TM420S (40kph)                   | TM420S (50kph)                   |
| Type                           |     | Powershift      | Powershift                       | Powershift                       | Powershift      | Powershift                       | Powershift                       |
| Manufacturer                   |     | JCB             | JCB                              | JCB                              | JCB             | JCB                              | JCB                              |
| Model                          |     | PS900           | PS900                            | PS900                            | PS900           | PS900                            | PS900                            |
| Fwd / rev ratios               |     | 8 / 4           | 8 / 4                            | 8 / 4                            | 8 / 4           | 8 / 4                            | 8 / 4                            |
| Torque lock                    |     | Fwd gears 5 - 8 | Fwd gears 1 - 8, Rev gears 1 - 4 | Fwd gears 1 - 8, Rev gears 1 - 4 | Fwd gears 5 - 8 | Fwd gears 1 - 8, Rev gears 1 - 4 | Fwd gears 1 - 8, Rev gears 1 - 4 |
| Max. travel speed              | kph | 40              | 40                               | 50                               | 40              | 40                               | 50                               |
| Engine rpm at max travel speed | rpm | 1900            | 1900                             | 2380                             | 1900            | 1900                             | 2380                             |

| AXLES & BRAKES              |         |                         |                         |                         |                         |                         |                         |
|-----------------------------|---------|-------------------------|-------------------------|-------------------------|-------------------------|-------------------------|-------------------------|
| Machine model               |         | TM320 (40kph)           | TM320S (40kph)          | TM320S (50kph)          | TM420 (40kph)           | TM420S (40kph)          | TM420S (50kph)          |
| Type                        |         | Epicyclic hub reduction | Epicyclic hub reduction | Epicyclic hub reduction | Epicyclic hub reduction | Epicyclic hub reduction | Epicyclic hub reduction |
| Manufacturer                |         | JCB                     | JCB                     | JCB                     | JCB                     | JCB                     | JCB                     |
| Model                       |         | PD70                    | PD70                    | PD70                    | PD87                    | PD87                    | PD87                    |
| Overall axle ratio          |         | 12.49                   | 12.49                   | 12.49                   | 13.875                  | 13.875                  | 13.875                  |
| Chassis oscillation angle   | degrees | ± 10°                   | ± 10°                   | ± 10°                   | ± 10°                   | ± 10°                   | ± 10°                   |
| Inboard oil immersed brakes |         | Front axle              | Front axle              | Front & rear axle       | Front & rear axle       | Front & rear axle       | Front & rear axle       |
| Brake system                |         | Single circuit          | Single circuit          | Dual circuit            | Single circuit          | Single circuit          | Dual circuit            |
| Park brake                  |         | Mechanical lever        | Mechanical lever        | Electrical switch       | Mechanical lever        | Mechanical lever        | Electrical switch       |

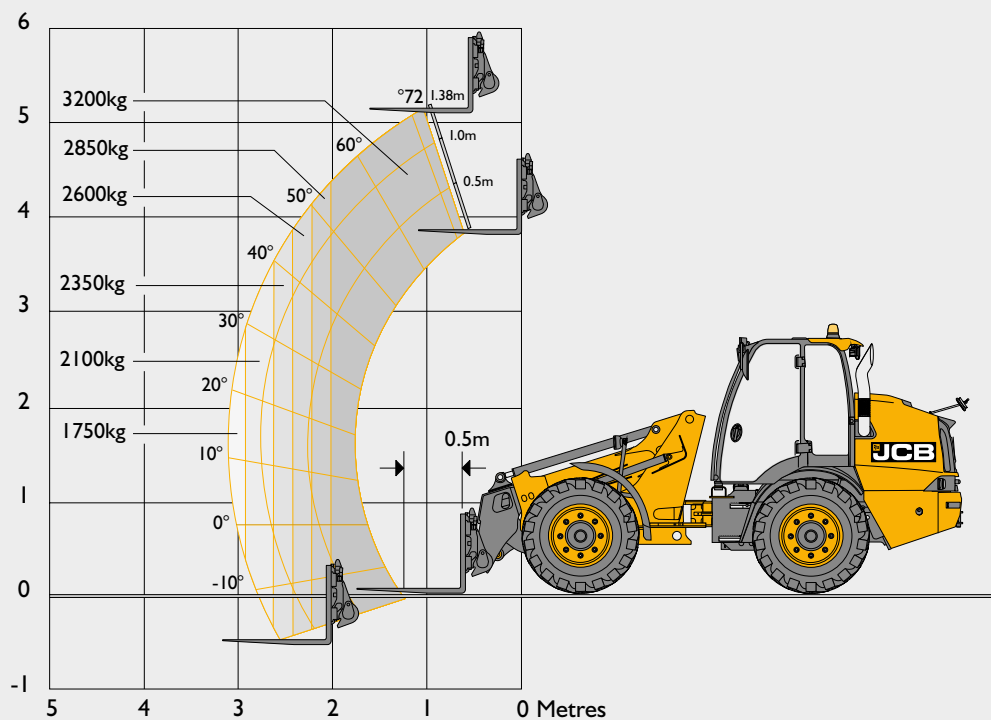
| NOISE AND VIBRATION             |                  |        |             |   |
|---------------------------------|------------------|--------|-------------|---|
|                                 |                  |        | Uncertainty | Measurement conditions  |
| Noise at the operator station   | LpA              | 73 dB  | +/- 1 dB    | Determined in accordance with the test method defined in ISO 6396 and the dynamic test condition defined on 2000/14/EC.             |
| Noise emission from the machine | LWA              | 104 dB | +/- 1 dB    | Guaranteed equivalent sound power (external noise) determined in accordance with the dynamic test conditions defined in 2000/14/EC. |
| Whole body vibration            | m/s <sup>2</sup> | 0.39   | +/- 0.11 dB | ISO 2631-1:1997 normalised to an 8h reference period and based upon a test cycle comprising of loader work (soil).                  |
| Hand-arm vibration              | m/s <sup>2</sup> | <2.5   | N/A         | ISO 5349-2:2001 dynamic test conditions.  |

**LOADER PERFORMANCE - FORK FRAME WITH FORKS**

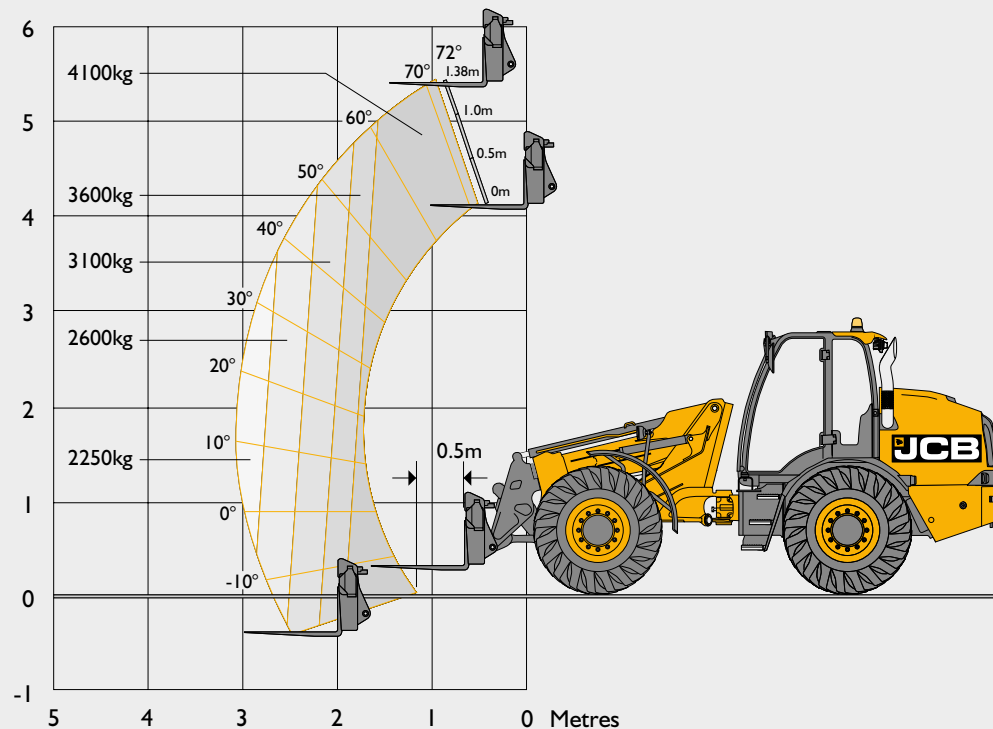
| Machine model                                     |    | TM320  | TM320S | TM420  | TM420S |
|---|----|--------|--------|--------|--------|
| Lift capacity to full height forks                | kg | 3200   | 3200   | 4100   | 4100   |
| Lift capacity at full reach                       | kg | 1750   | 1750   | 2250   | 2250   |
| Lift height - forks                               | mm | 5200   | 5200   | 5450   | 5450   |
| Max forward reach - forks at 500mm                | mm | 2950   | 2950   | 3050   | 3050   |
| Straight tipping load forks at 500mm load centre* | kg | 5262   | 5262   | 6670   | 6670   |
| FTTL forks at 500mm load centre*                  | kg | 4052** | 4052** | 5200** | 5200** |
| FTTL payload forks at 80% of FTTL                 | kg | 3242** | 3242** | 4160** | 4160** |
| FTTL payload forks at 60% of FTTL                 | kg | 2431** | 2431** | 3120** | 3120** |
| Breakout force - Shovel                           | kg | 6260   | 6260   | 7200   | 7200   |

\*\* Straight and Full Turn Tipping Load with forks and direct mount to Pin and Cone carriage to EN474 (ISO 14397)

TM320 / TM320S



TM420 / TM420S



## HYDRAULICS

| Machine model                      |         | TM320                             | TM320S                            | TM420                             | TM420S                                 |
|------------------------------------|---------|-----------------------------------|-----------------------------------|-----------------------------------|--|
| Pump type                          |         | Variable displacement piston pump | Variable displacement piston pump | Variable displacement piston pump | Twin variable displacement piston pump |
| Pump capacity                      | l/min   | 63cc/rev                          | 72cc/rev                          | 72cc/rev                          | 100cc/rev                              |
| Max flow                           | l/min   | 140                               | 160                               | 160                               | 160                                    |
| Engine rpm req. for max flow       | rpm     | 2380                              | 2380                              | 2380                              | 1700                                   |
| max pressure                       | bar     | 230                               | 230                               | 260                               | 260                                    |
| Aux circuit rated flow             | l/min   | 90                                | 90                                | 100                               | 100                                    |
| Engine rpm req. for Aux rated flow | rpm     | 1600                              | 1600                              | 1700                              | 1200                                   |
| <b>Hydraulic cycle times</b>       |         |                                   |                                   |                                   |  |
| Raise                              | seconds | 5.9                               | 5.5                               | 5.1                               | 5.1                                    |
| Lower                              | seconds | 6                                 | 6                                 | 4.7                               | 4.7                                    |
| Extend                             | seconds | 3.4                               | 3.4                               | 3.6                               | 3.6                                    |
| Retract                            | seconds | 2.6                               | 2.6                               | 3.5                               | 3.5                                    |
| Dump                               | seconds | 2.8                               | 2.8                               | 2.9                               | 2.9                                    |
| Crowd                              | seconds | 2.8                               | 2.8                               | 3.4                               | 3.4                                    |

## ELECTRICAL SYSTEM

| Machine model     |          | TM320            | TM320S           | TM420            | TM420S           |
|-------------------|----------|------------------|------------------|------------------|------------------|
| System voltage    | Volt     | 12               | 12               | 12               | 12               |
| Alternator output | Amp Hour | 170              | 170              | 170              | 170              |
| Battery type      |          | Twin batteries   | Twin batteries   | Twin batteries   | Twin batteries   |
| Battery capacity  | Amp Hour | 2 x 610CCA, 62Ah | 2 x 610CCA, 62Ah | 2 x 610CCA, 62Ah | 2 x 610CCA, 62Ah |

## FLUID CAPACITIES

| Machine model  |        | TM320 / TM320S | TM420 / TM420S |
|----------------|--------|----------------|----------------|
| Hydraulic tank | litres | 97             | 97             |
| Fuel tank      | litres | 160            | 160            |
| Engine sump    | litres | 14             | 14             |
| Front axle     | litres | 20             | 25             |
| Rear Axle      | litres | 20             | 25             |
| Drop box       | litres | 1.3            | 1.3            |
| DEF            | litres | 29             | 29             |
| Transmission   | litres | 19             | 19             |

## TM420 / TM420S TYRE OPTIONS

| Manufacturer | Size      | Type           | Application | Dimensional changes |                       |
|--------------|-----------|----------------|-------------|---------------------|-----------------------|
|              |           |                |             | Overall height (mm) | Width over tyres (mm) |
| Michelin     | 480/80R26 | XMCL           | AG          | 0                   | 0                     |
| Michelin     | 480/80R26 | BIBLOAD        | AG/EM       | +8                  | 0                     |
| Michelin     | 620/70R26 | CEREXBIB       | AG          | +7                  | +201                  |
| Michelin     | 17.5R25   | XHA            | EM          | -54                 | -19                   |
| Michelin     | 17.5R25   | XSNOPLUS       | EM          | -60                 | -19                   |
| Nokian       | 17.5R25   | LOADER GRIP TL | EM          | -42                 | -20                   |
| JCB          | 17.5R25   | EARTHMOVER     | EM          | -23                 | -22                   |

## TM320 / TM320S TYRE OPTIONS

| Manufacturer | Size      | Type                | Application | Dimensional changes |                       |
|--------------|-----------|---------------------|-------------|---------------------|-----------------------|
|              |           |                     |             | Overall height (mm) | Width over tyres (mm) |
| Mitas        | 445/70R24 | AC70G MPT           | AG          | -1                  | -22                   |
| Michelin     | 440/80R24 | XMCL                | AG          | +30                 | -82                   |
| Michelin     | 460/70R24 | XMCL                | AG          | 0                   | 0                     |
| Michelin     | 500/70R24 | XMCL                | AG          | +24                 | +38                   |
| Michelin     | 15.5R25   | XHA                 | EM          | -5                  | -86                   |
| Michelin     | 15.5R25   | XTLA                | EM          | -9                  | -86                   |
| Michelin     | 460/70R24 | BIBLOAD             | AG/EM       | -4                  | 0                     |
| Michelin     | 500/70R24 | BIBLOAD             | AG/EM       | +19                 | +54                   |
| Alliance     | 460/70R24 | AGRO-INDUSTRIAL R-4 | AG          | +5                  | -61                   |
| Alliance     | 500/70R24 | AGRO-INDUSTRIAL R-4 | AG          | +32                 | +48                   |

## STANDARD/OPTIONAL EQUIPMENT

| Machine model                             | TM320 | TM320S | TM420 | TM420S | Machine model  | TM320 | TM320S | TM420 | TM420S |
|---|-------|--------|-------|--------|--|-------|--------|-------|--------|
| <b>ENGINE AND COOLING</b>                 |       |        |       |        | <b>CAB</b>   |       |        |       |        |
| 130hp JCB DIESELMAX Engine                | •     | ×      | ×     | ×      | ROPS/FOPS safety structure                             | •     | •      | •     | •      |
| 150hp JCB DIESELMAX Engine                | ×     | •      | •     | ×      | B-post mounted membrane switches                       | •     | •      | •     | •      |
| 173hp JCB DIESELMAX Engine                | ×     | ×      | ×     | •      | Fully adjustable mechanical seat                       | •     | •      | •     | •      |
| Cyclonic air filter                       | •     | •      | •     | •      | Air suspension seat                                    | +     | +      | +     | +      |
| Air intake scavenge system                | •     | •      | •     | •      | Super deluxe heated air suspension half leather seat   | +     | +      | +     | +      |
| Widcore cooling pack                      | •     | •      | •     | •      | LED Interior lights                                    | •     | •      | •     | •      |
| Auto reversing fan                        | +     | +      | +     | +      | Tilt and telescopic steering column                    | •     | •      | •     | •      |
| <b>TRANSMISSION / AXLES</b>               |       |        |       |        | <b>ADJUSTABLE JOYSTICK CONTROL CONSOLE AND ARMREST</b> |       |        |       |        |
| 8 speed Powershift transmission           | •     | •      | •     | •      | Adjustable joystick control console and armrest        | •     | •      | •     | •      |
| Lock-up torque converter in gears 1 - 8   | ×     | •      | ×     | •      | Front and rear wash / wipe                             | •     | •      | •     | •      |
| Lock-up torque converter in gears 5 - 8   | •     | ×      | •     | ×      | 3 speed heater fan                                     | •     | •      | •     | •      |
| 40kph travel speed                        | •     | •      | •     | +      | Air conditioning                                       | +     | +      | +     | +      |
| 50kph travel speed                        | ×     | +      | ×     | •      | RH opening window with lock back                       | •     | •      | •     | •      |
| Transmissions disconnect on footbrake     | •     | •      | •     | •      | LH opening door with door lock back                    | •     | •      | •     | •      |
| Forward / reverse controls on joystick    | •     | •      | •     | •      | LH Sliding window                                      | +     | +      | +     | +      |
| Column mounted transmission selector      | •     | •      | •     | •      | Single lever joystick controls                         | •     | •      | •     | •      |
| In board oil immersed disc brakes         | •     | •      | •     | •      | Loader control isolator                                | •     | •      | •     | •      |
| Limited slip differentials front and rear | •     | •      | •     | •      | External rear view mirrors                             | •     | •      | •     | •      |
| <b>HYDRAULICS</b>                         |       |        |       |        | <b>EXTERNAL REAR VIEW MIRRORS</b>                      |       |        |       |        |
| Servo controls                            | •     | •      | •     | •      | External rear view mirrors                             | •     | •      | •     | •      |
| Flow sharing hydraulics                   | •     | •      | •     | •      | Front and roof screen blinds                           | •     | •      | •     | •      |
| Proportional boom and auxiliary controls  | •     | •      | •     | •      | Fire extinguisher                                      | +     | +      | +     | +      |
| Adjustable constant flow hydraulics       | •     | •      | •     | •      | Additional storage box                                 | +     | +      | +     | +      |
| Variable displacement piston pump         | •     | •      | •     | •      | Toolbox  | +     | +      | +     | +      |
| Priority steer valve                      | •     | •      | •     | •      | Mechanical park brake                                  | •     | •      | •     | •      |
| Hose burst check valves                   | •     | •      | •     | •      | Electric park brake                                    | ×     | +      | ×     | +      |
| JCB Adaptive Load Control                 | •     | •      | •     | •      | Mobile phone cradle                                    | +     | +      | +     | +      |
| JCB Smoothride system                     | +     | +      | +     | +      | <b>CHASSIS AND BODYWORK</b>                            |       |        |       |        |
| Biodegradable hydraulic oil               | +     | +      | +     | +      | Articulated steering                                   | •     | •      | •     | •      |
|   |       |        |       |        | Centre pivot oscillation                               | •     | •      | •     | •      |
|   |       |        |       |        | Plastic front and rear fenders                         | •     | •      | •     | •      |
|   |       |        |       |        | Fixed bottom step                                      | •     | •      | •     | •      |
|   |       |        |       |        | Full width rear counterweight                          | •     | •      | •     | •      |
|   |       |        |       |        | Recovery hitch   | •     | •      | •     | •      |
|   |       |        |       |        | Prop shaft guard                                       | •     | •      | •     | •      |
|   |       |        |       |        | Grease gun and cartridge                               | +     | +      | +     | +      |
|   |       |        |       |        | Deluxe exterior mirrors                                | +     | •      | •     | •      |
|   |       |        |       |        | Hydraulic tow hitch (8000kg)                           | +     | +      | +     | +      |
|   |       |        |       |        | Rockinger hitch (15000kg)                              | +     | +      | +     | +      |
|   |       |        |       |        | Rear electrics   | +     | +      | +     | +      |
|   |       |        |       |        | Trailer braking single line                            | +     | +      | +     | +      |
|   |       |        |       |        | Trailer braking twin line                              | +     | +      | +     | +      |
|   |       |        |       |        | Rear auxiliary   | +     | +      | +     | +      |
|   |       |        |       |        | Rear belly guards                                      | +     | +      | +     | +      |



## STANDARD/OPTIONAL EQUIPMENT

| Machine model                     | TM320 | TM320S | TM420 | TM420S |
|-----------------------------------|-------|--------|-------|--------|
| <b>ELECTRICAL</b>                 |       |        |       |        |
| LED road lights rear              | •     | •      | •     | •      |
| LED road lights front             | +     | +      | +     | +      |
| Reverse lights                    | •     | •      | •     | •      |
| Battery isolator                  | •     | •      | •     | •      |
| Direction indicators              | •     | •      | •     | •      |
| Rotating beacon                   | +     | +      | +     | +      |
| Twin beacons                      | +     | +      | +     | +      |
| LED front and rear worklights     | +     | +      | +     | +      |
| LED boom worklights               | +     | +      | +     | +      |
| Twin reverse light kit            | +     | +      | +     | +      |
| Reverse fog light kit*            | +     | +      | +     | +      |
| LiveLink telematics               | •     | •      | •     | •      |
| LED 360 degree worklights         | +     | +      | +     | +      |
| LED tow hitch light               | +     | +      | +     | +      |
| 12v in-cab power socket           | •     | •      | •     | •      |
| Reverse camera with colour screen | •     | •      | •     | •      |
| Auxiliary venting                 | •     | •      | •     | •      |
| Reverse alarm                     | •     | •      | •     | •      |
| White noise reverse alarm         | +     | +      | +     | +      |
| Multi-media port (USB and 3.5mm)  | •     | •      | •     | •      |
| Bluetooth radio                   | +     | +      | +     | +      |
| Roof wiper                        | +     | +      | +     | +      |
| Step lighting                     | •     | •      | •     | •      |
| Walk-me-home lighting             | •     | •      | •     | •      |
| Heated front screen*              | +     | +      | +     | +      |
| Programmable smart key            | •     | •      | •     | •      |
| Automatic boom worklights         | +     | +      | +     | +      |
| Automatic rear worklights         | •     | •      | •     | •      |
| Automatic tow hitch light         | +     | +      | +     | +      |

\*Not Tractor Homologated

| Machine model                                 | TM320 | TM320S | TM420 | TM420S |
|---|-------|--------|-------|--------|
| <b>LOADER</b>                                 |       |        |       |        |
| Centre mounted single stage telescopic boom   | •     | •      | •     | •      |
| Parallel lift                                 | •     | •      | •     | •      |
| End damping on boom lower, extend and retract | •     | •      | •     | •      |
| Pin and Cone carriage                         | +     | +      | +     | +      |
| JCB Q-fit carriage                            | +     | +      | +     | +      |
| Industrial carriage                           | +     | +      | +     | +      |
| Electrical in cab quickhitch pin isolation    | •     | •      | •     | •      |
| 3/4" Auxiliary couplers                       | X     | X      | +     | +      |
| <b>ATTACHMENTS</b>                            |       |        |       |        |
| Grain shovel 4.0m <sup>3</sup>                | X     | X      | +     | +      |
| Grain shovel 2.7m <sup>3</sup>                | +     | +      | +     | +      |
| Muck grab 2.4m <sup>3</sup>                   | X     | X      | +     | +      |
| GP shovel 1.0m <sup>3</sup>                   | +     | +      | X     | X      |
| GP shovel 1.6m <sup>3</sup>                   | X     | X      | +     | +      |
| Pallet forks 1067mm                           | +     | +      | +     | +      |
| Pallet forks 1200mm                           | +     | +      | +     | +      |

STANDARD •

OPTIONAL +

NOT AVAILABLE X

NB. Regional variations may apply to standard and optional equipment







**ONE COMPANY, OVER 300 MACHINES.**

Your nearest JCB dealer

**Telescopic Wheel Loader TM320 / TM320S / TM420 / TM420S**

Gross power: 97kW/130hp – 129kW/173hp Lift capacity: 3200kg – 4100kg Lift height: 5.2m – 5.45m

JCB Agriculture, Rocester, Staffordshire ST14 5JP.

Tel: +44 (0)1889 590312 Email: [salesinfo@jcb.com](mailto:salesinfo@jcb.com)

Download the very latest information on this product range at: [www.jcb.com](http://www.jcb.com)

[facebook.com/JCBAg](https://www.facebook.com/JCBAg)
[@JCBAgriculture](https://twitter.com/JCBAgriculture)
[JCBAgriculture](https://www.instagram.com/JCBAgriculture)
[youtube.com/JCBAgriculture](https://www.youtube.com/JCBAgriculture)

©2022 JCB Sales. All rights reserved. No part of this publication may be reproduced, stored in a retrieval system, or transmitted in any form or by any other means, electronic, mechanical, photocopying or otherwise, without prior permission from JCB Sales. All references in this publication to operating weights, sizes, capacities and other performance measurements are provided for guidance only and may vary dependant upon the exact specification of machine. They should not therefore be relied upon in relation to suitability for a particular application. Guidance and advice should always be sought from your JCB Dealer. JCB reserves the right to change specifications without notice. Illustrations and specifications shown may include optional equipment and accessories. All images are correct at time of print. The JCB logo is a registered trademark of J C Bamford Excavators Ltd.

29742 en-GB 05/22 Issue 1

